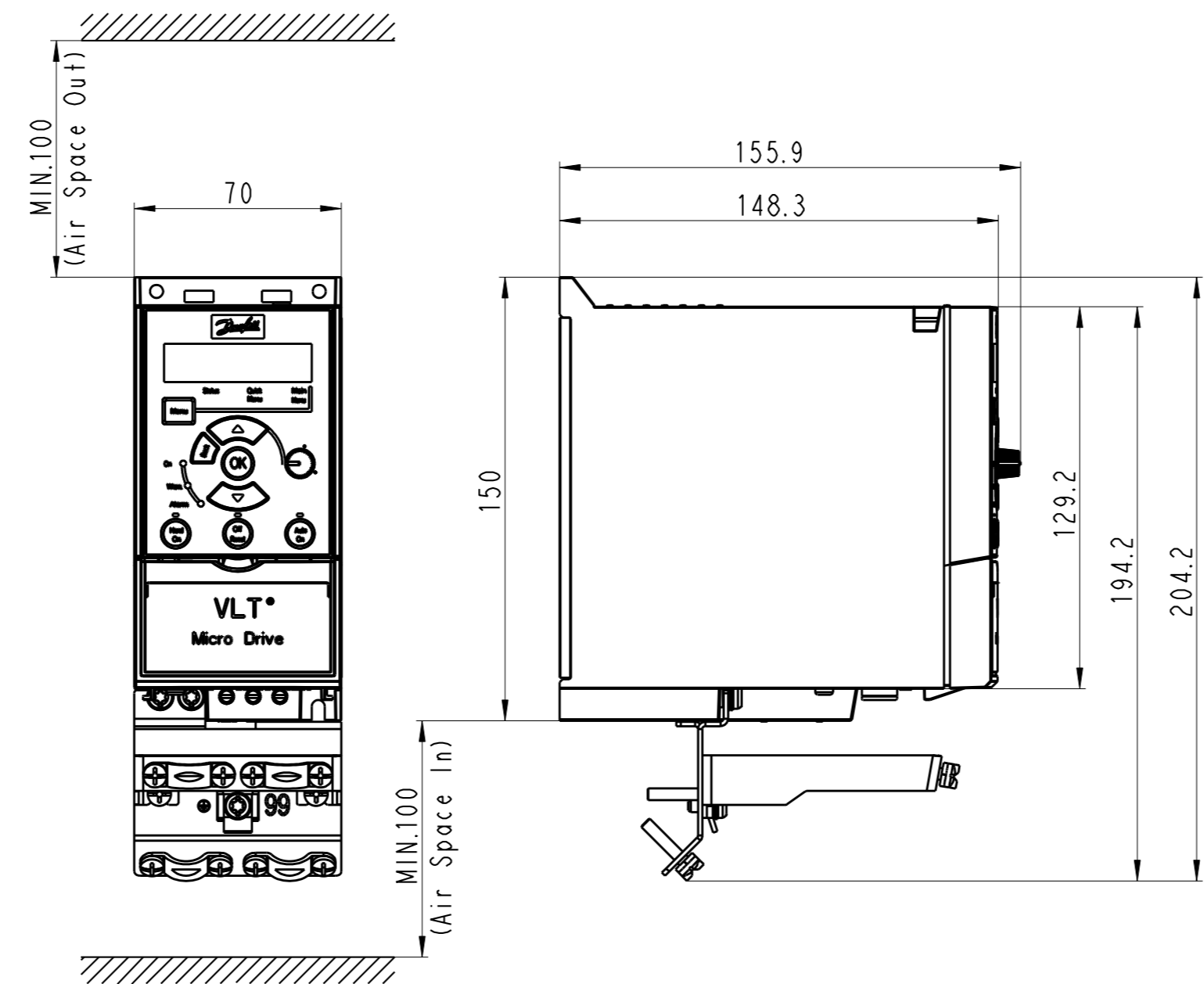
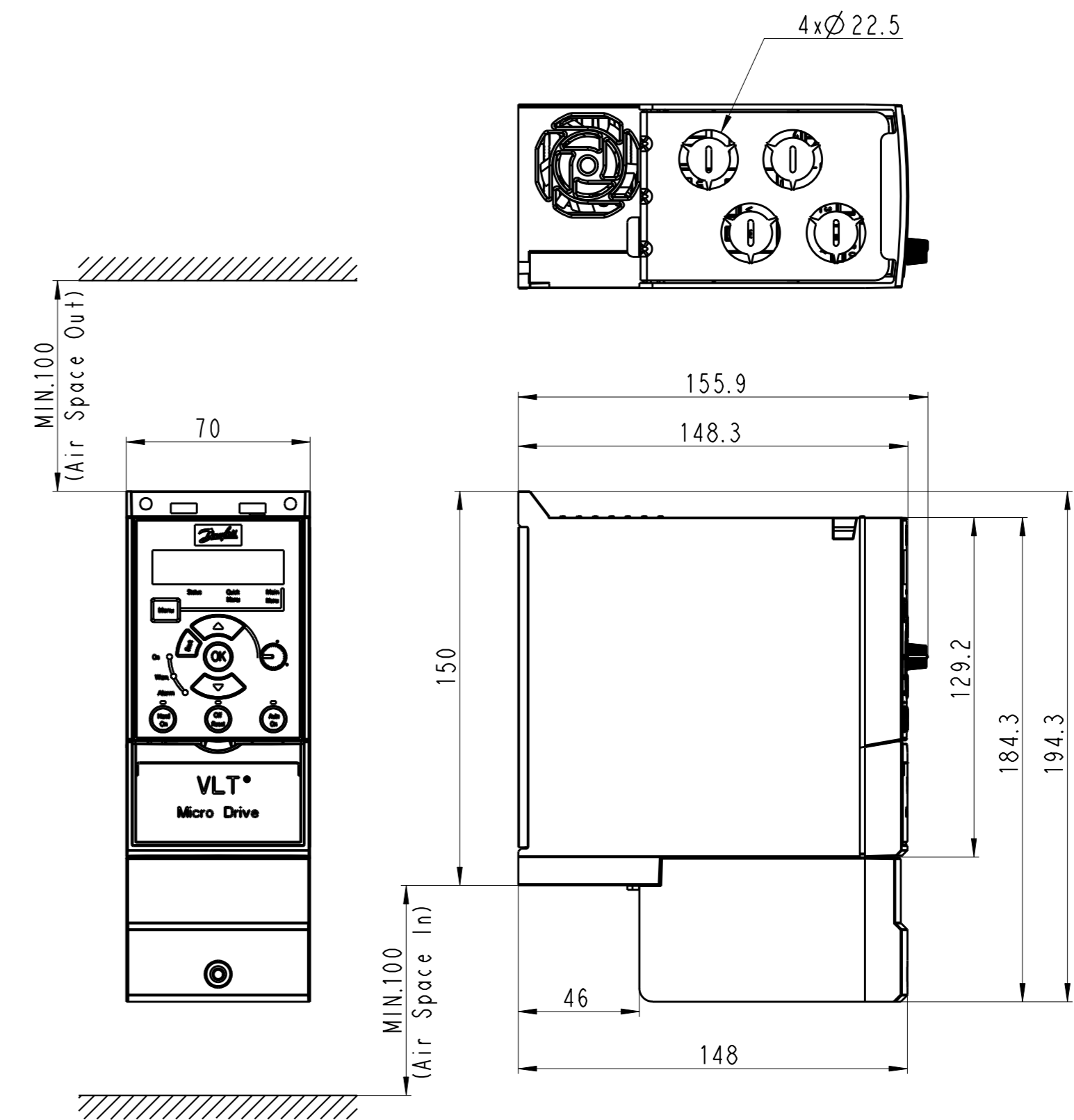


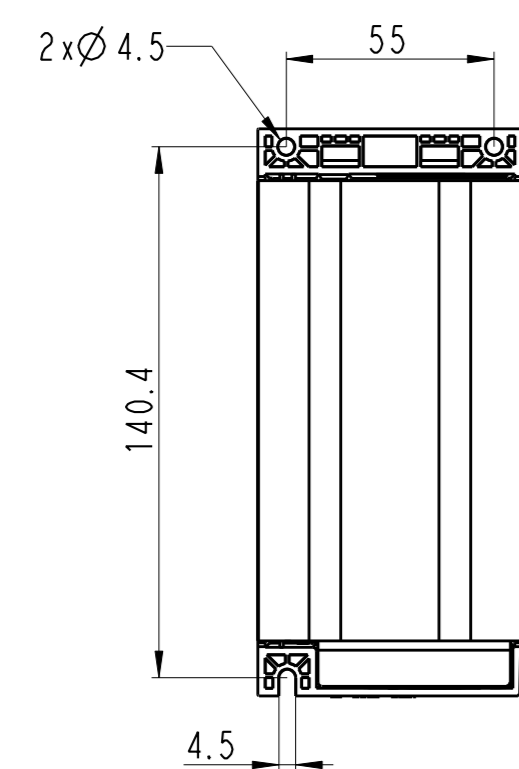
STANDARD



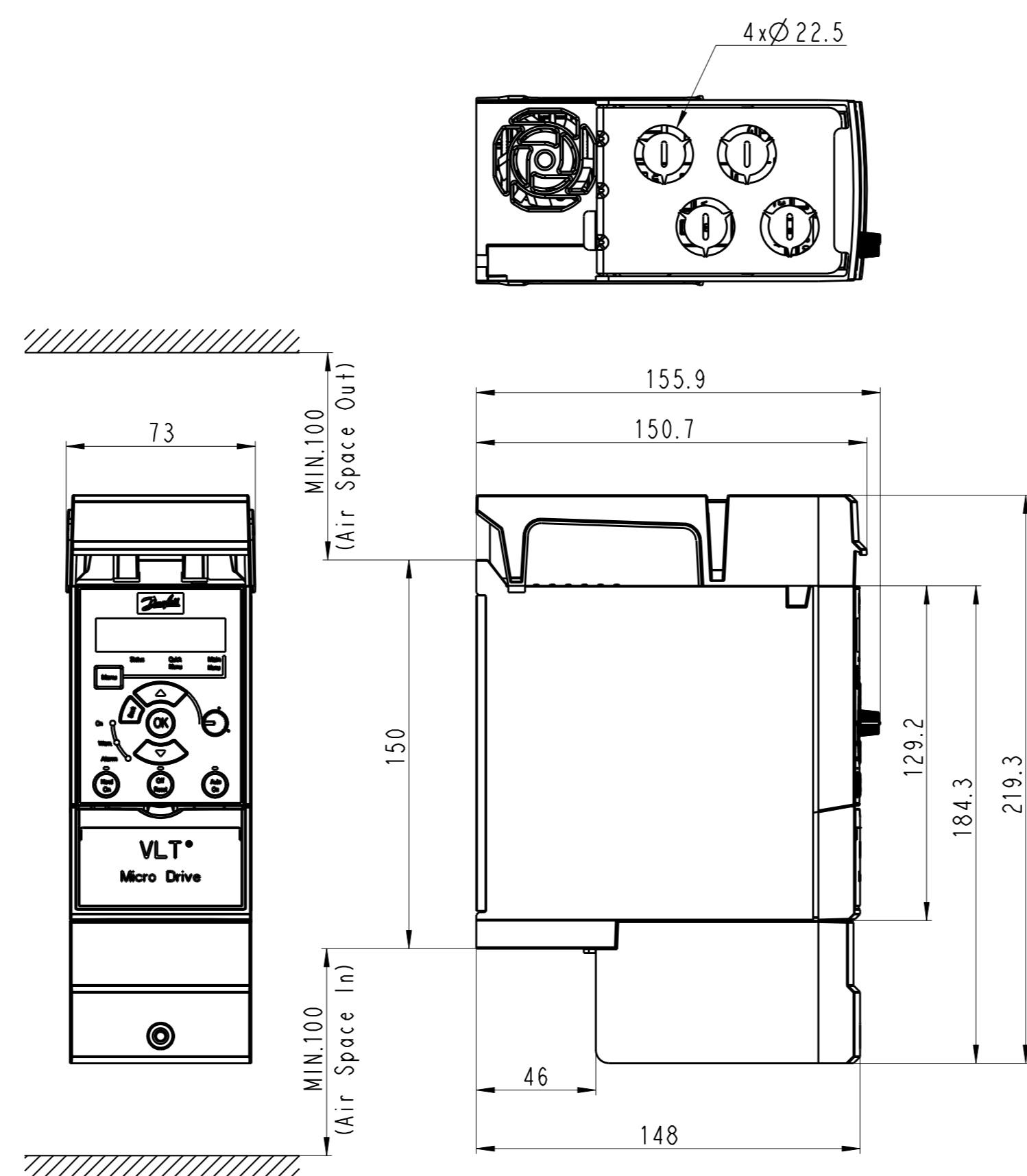
DECOUPLING-OPTION



NEMA-OPTION



MOUNTING-BASE



IP21-OPTION

Authorized Distributor



www.tekmatic.com 815.282.1775 insidesales@tekmatic.com

Projection	Scale / Paper size		Matr./Spec.
	1:2 / A1		Danfoss standard
Last revised by	Date	Designation	
Liang Wanchun	2006.11.30	DANFOSS DRIVES A/S	FC51-MI
<small>Confidential: Property of Danfoss Drives A/S. Not to be handed over to, copied or used by third party. Two- or three dimensional reproduction of contents to be authorized by Danfoss Drives A/S.</small>			Part no. MI-OUTLINE 1 of 1
<small>PDM controlled drawing. Hard copy not valid without frozen date in ID stamp.</small>			Rev. 001

Model: MI-ASSEM