



Authorized Distributor



IC-PIX Datasheet



IC-PIX | Legacy

DYNICS IC-PIX is an integrated workstation with a stud-mounted drop-in replacement with the DYNICS "quick release" bezel system for simple serviceability and replacement.

Key Features

- Legacy
- Slim DVD / DVD-RW / CD-RW
- 100~240VAC / 24VDC
- 0 – 2 PCI Slots

Display Specifications

Size	Resolution	View Angle	Contrast	Brightness	Aspect Ratio
15"	XGA 1024 x 768	H: -80°/+80°, V: -80°/+80°	600:1	350 nits	4:3
17"	SXGA 1280 x 1024	H: -85°/+85°, V: -80°/+80°	1000:1	350 nits	5:4
Lens	5-Wire Analog Resistive (Touch Screen) / Protective Polycarbonate Lens (Non-Touch)				
LCD Life	50,000 Hour Backlight Half-Life				
Enclosure	NEMA 4 Powder Coated Aluminum / NEMA 4X Stainless Steel				

PC Specifications

Motherboard	MINI-ITX QM77	MINI-ITX Q170	MINI-ITX Braswell
I/O	1x 1Gb Ethernet Port (Supporting Intel® AMT™) 1x 1Gb Ethernet Port 2x RS232/422/485 Ports 2x USB 3.0 Ports 4x USB 2.0 Ports 1x PS/2 Port (Keyboard/Mouse) 1x DVI-I Port 1x HDMI Port 1x DisplayPort 3x Audio Jacks (Mic-In/Line-In/Line-Out)	1x 1Gb Ethernet Port (Supporting Intel® AMT™) 1x 1Gb Ethernet Port 1x RS232 Port 4x USB 3.0 Ports 4x USB 2.0 Ports 2x PS/2 Ports (Keyboard & Mouse) 1x DVI-D Port 2x DisplayPorts V1.2 2x Audio Jacks (Mic-In/Line-Out)	2x 1Gb Ethernet Ports 4x USB 3.0 Ports 1x VGA Port 1x HDMI Port 2x Audio Jacks (Mic-In/Line-Out)
CPU	3 rd Gen Intel® Core™ i5 3610ME / i7 3610QE	6 th Gen Intel® Core™ i5 6500TE / i7 6700TE	Braswell N3160
CPU Speed	i5 – 2.7GHz Base, 3.3GHz Turbo (2 Cores, 4 Threads) i7 – 2.3GHz Base, 3.3GHz Turbo (4 Cores, 8 Threads)	i5 – 2.3GHz Base, 3.3GHz Turbo (4 Cores, 4 Threads) i7 – 2.4GHz Base, 3.4GHz Turbo (4 Cores, 8 Threads)	1.6GHz Base, 2.08GHz Turbo (4 Cores, 4 Threads)
Expansion	0 Slots / 1 PCI Slot / 2 PCI Slots		
Memory	Up to 16GB DDR3 (32-bit OS Limits Memory to 4GB)	Up to 8GB DDR4	Up to 8GB DDR3
Power Supply	100~240VAC / 24VDC Power Entry		
Storage	2.5" SATA and SSD / HDD		
Operating System	- Windows® 7 Embedded Standard (32-bit / 64-bit) - Windows® Embedded Standard 2009 (32-bit only on QM77) - Windows® 10 Professional (32-bit / 64-bit) - Windows® 10 Enterprise IoT LTSB 2016 (32-bit / 64-bit)		
Temperature	Operating: 0° - 50°C (32° - 122°F) Non-Operating: -25° - 60°C (-13° - 140°F)		
Relative Humidity	Non-Condensing: 20% - 80%		
Shock	Operating: 10G Non-Operating: 15G		
Vibration	Operating: 1.0G from 57~2000Hz Non-Operating: 2.5G from 57~2000Hz		
Compliance	European Union Directive 2011/65/EU (RoHS)		
Warranty	24-Month limited warranty. Extended warranty available, contact DYNICS for details.		





IC-PIX

Datasheet

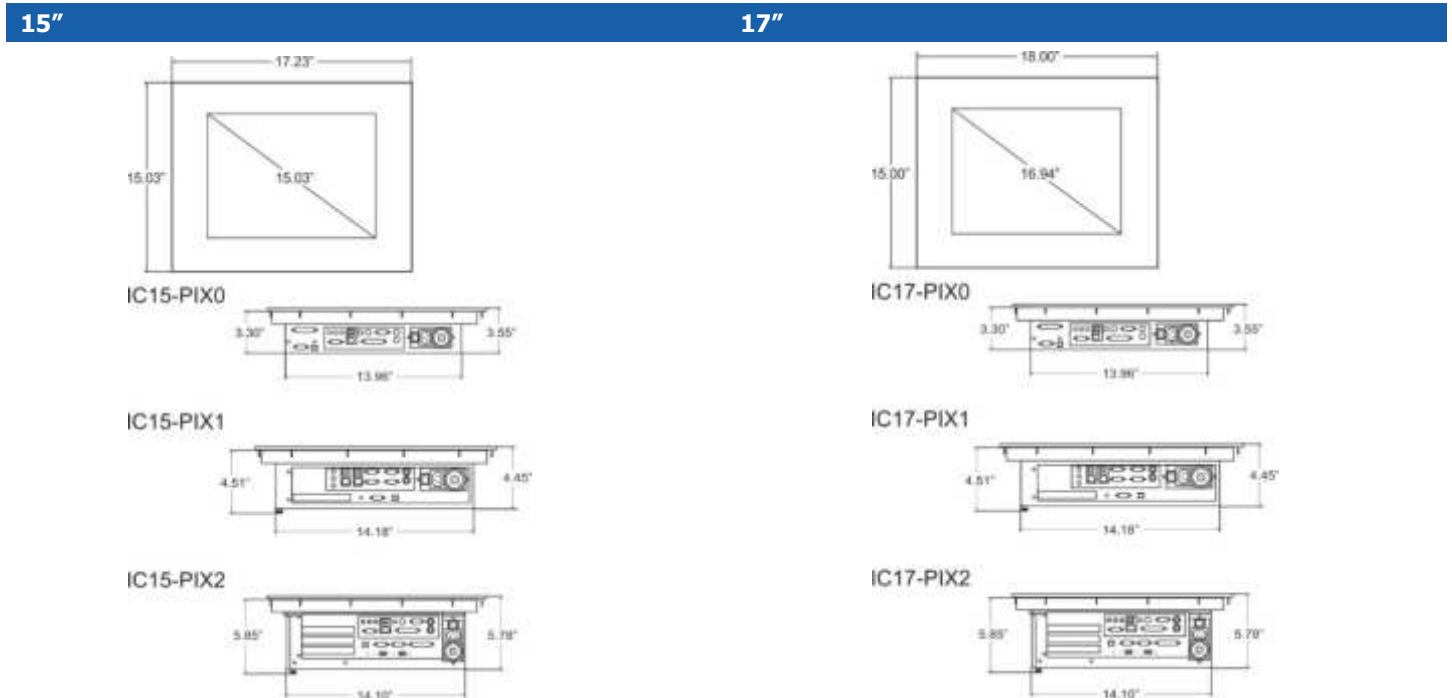
Dimensions, Weight and Power Consumption

	15"			17"		
Height	15.030" (381.7mm)			15.000" (381.0mm)		
Width	17.230" (437.6mm)			18.000" (457.2mm)		
	PIX0	PIX1	PIX2	PIX0	PIX1	PIX2
Depth	3.550" (90.1mm)	4.510" (114.5mm)	5.850" (148.5mm)	3.550" (90.1mm)	4.510" (114.5mm)	5.850" (148.5mm)
Weight	31 lbs.*	34 lbs.*	35 lbs.*	35 lbs.*	39 lbs.*	40 lbs.*
Power Consumption	150 Watts**			160 Watts**		

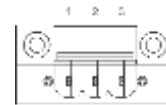
*Weights are approximate, contact DYNICS for details.

**Power Consumption based on maximum ratings, actual ratings vary significantly based on components used.

Mechanical Drawings



Power Entry 100~240VAC	Power Entry 24VDC
------------------------	-------------------



Pin 1: +V
Pin 2: 0 (GND)
Pin 3: -V

All measurements are in inches and pounds, unless noted. Pictures and drawings are not to scale. Estimated weight may change depending on options. DYNICS reserves the right to change, modify, upgrade, or discontinue any part of this datasheet without any prior notice.

