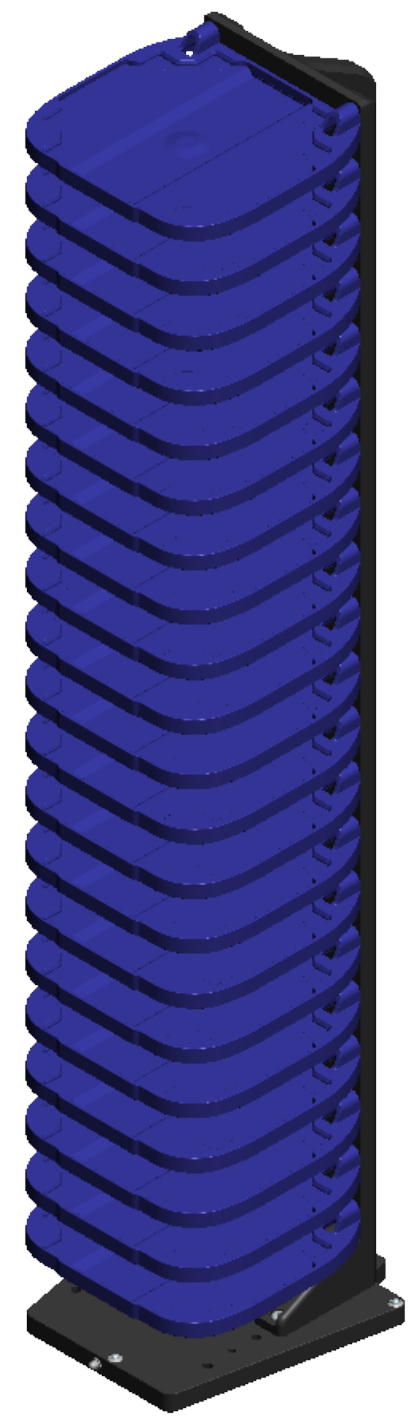



8 7 6 5 4 3 2 1

NOTES:

1. DIMENSIONS AND TOLERANCE PER ASME Y14.5M-1994
2. INTERPRET DRAWING IN ACCORDANCE WITH ASME Y14.100
3. DIGITAL MODEL FILES AVAILABLE UPON REQUEST
4. RECOMMENDED FOR USE WITH KX2-750 ROBOT ARM

REVISION HISTORY						
REV	DESCRIPTION	ECO	DATE	APPROVED	CHECKED	DRAFTER
AA	INITIAL RELEASE	N/A	2020/03/11	PJM	PJM	JNH



UNLESS OTHERWISE SPECIFIED: DIM ARE IN INCHES				 PEAK ROBOTICS, INC. 4747 CENTENNIAL BLVD COLORADO SPRINGS, CO 80919	
TOL ON ANGLE ± .1°		.X = ± 0.030		TITLE	
		.XX = ± 0.015		HOTEL RACK	
		.XXX = ± 0.005		21 PLACE UNIVERSAL	
THIRD ANGLE PROJECTION		APPROVED	DATE	SIZE	MATERIAL
		P. MORELAND	2020/11/03	B	
		ENGINEER	DATE	DWG NO	REV
		J. HULBERT	2020/11/03	HR21U	AA
		DRAWN BY	DATE	SCALE	FINISH
		J. HULBERT	2020/11/03	1:4	
		APPROVALS		SHEET	1 OF 2

8 7 6 5 4 3 2 1

D

C

B

A

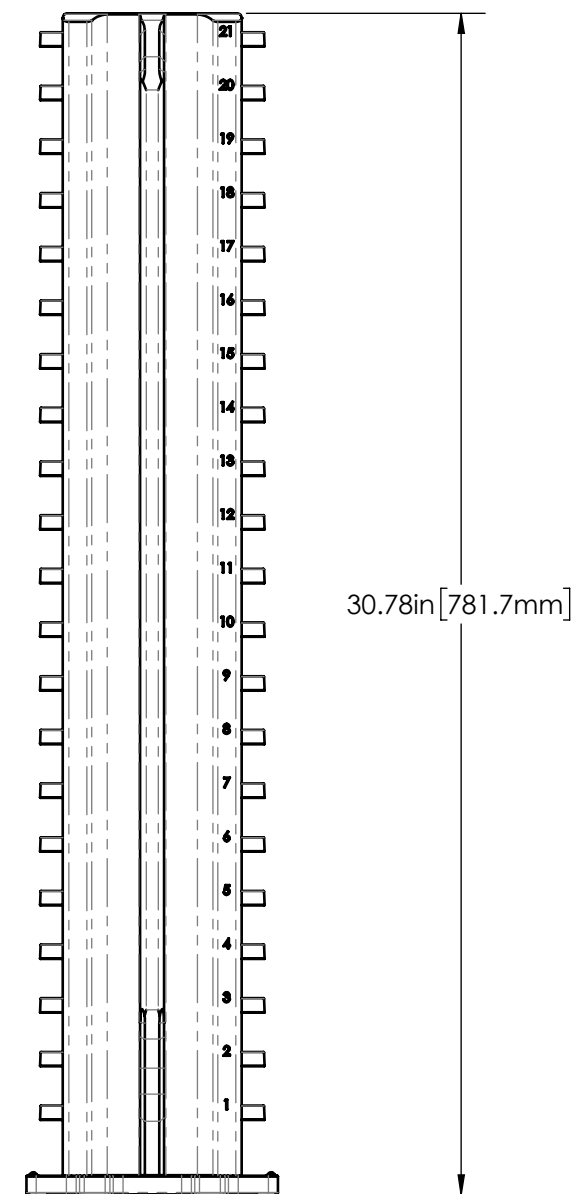
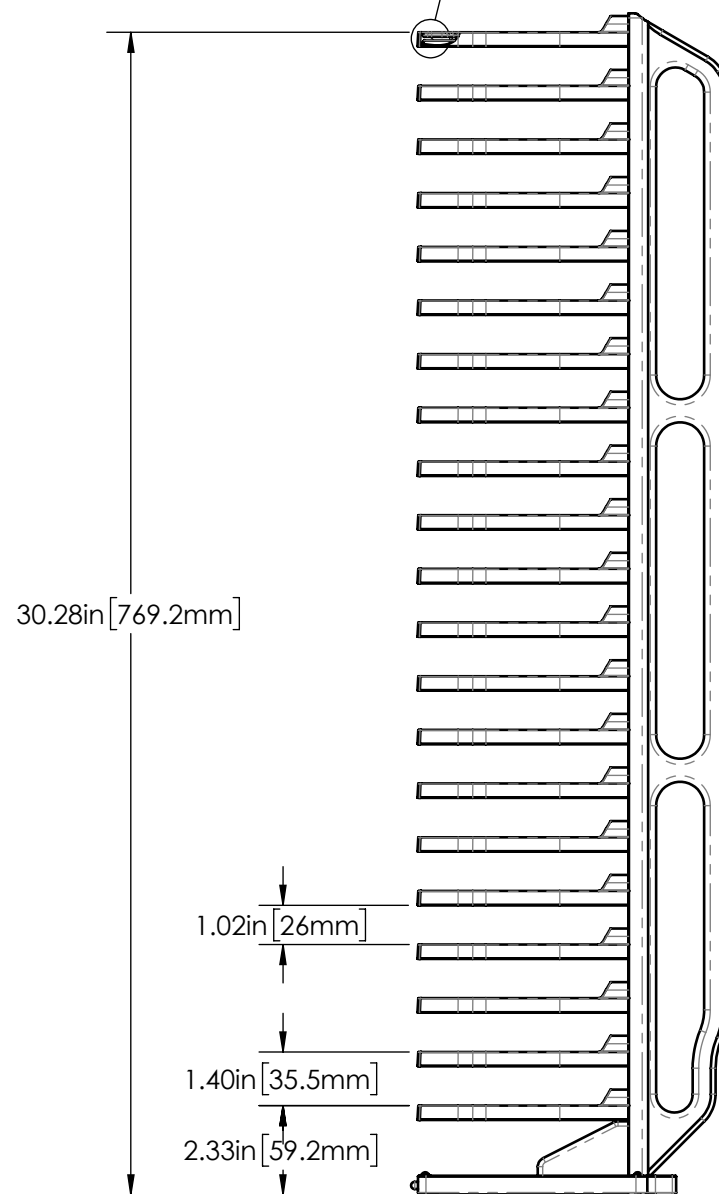
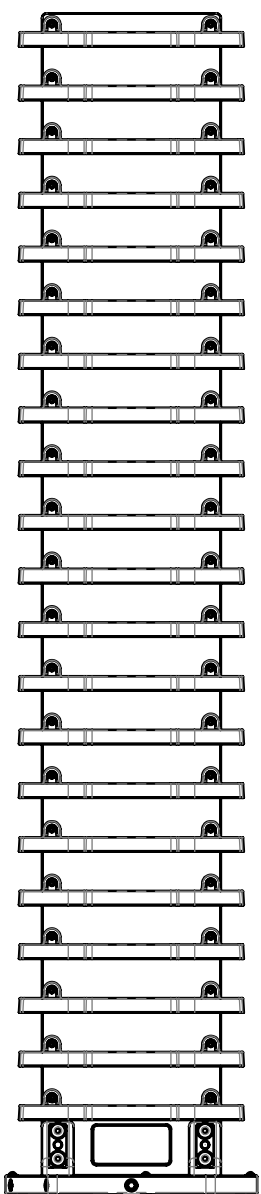
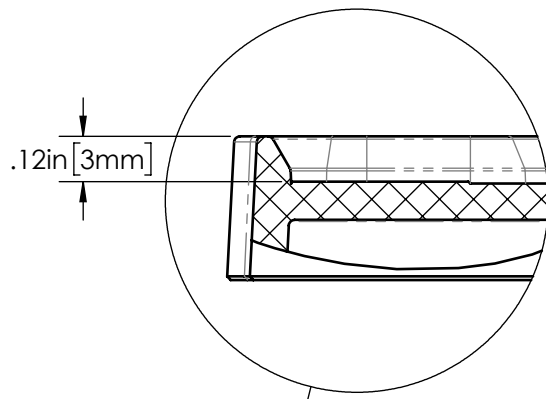
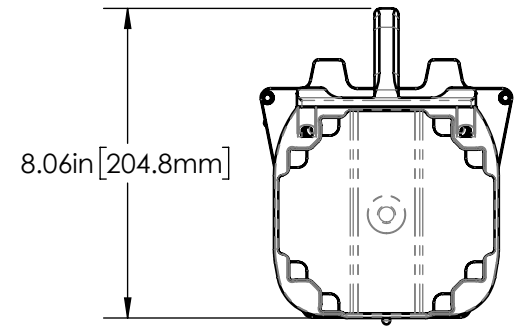
D

C

B

A

North American Distributor



SIZE B	DWG NO HR21U	REV AA
SCALE 1:5	SHEET 2 OF 2	